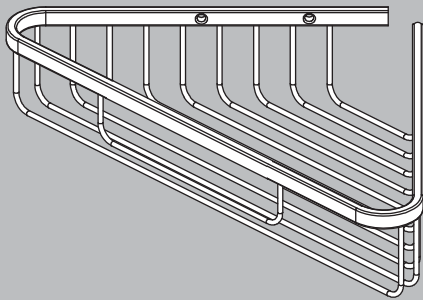


INSTRUCTIONS FOR MODELS

SA-1408



NEED HELP?

For additional assistance or service please contact:

SPEAKMAN® Company
400 Anchor Mill Road
New Castle, DE 19720

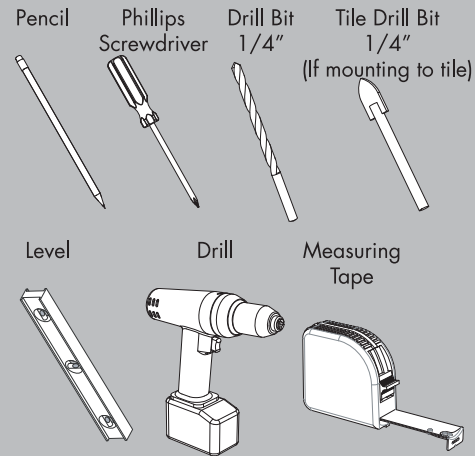
800-537-2107

customerservice@speakmancompany.com

www.speakmancompany.com

92-SA-1408-R2

TOOLS AND SUPPLIES



IMPORTANT



Be sure to read instructions thoroughly before beginning installation. Do not overtighten any connections or damage may occur.

SAFETY TIPS

Cover your drain to prevent loss of parts. Be sure to wear eye protection.

This item is **NOT** designed for use as a grab bar. Do not mount in locations where product is likely to be used as a grab bar.

MAINTENANCE

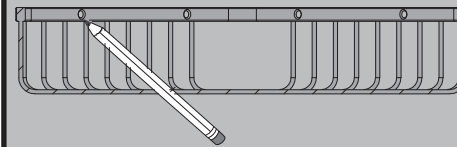
Your new Bath Accessory is designed for years of trouble-free performance. Keep it looking new by cleaning it periodically with a soft cloth. Avoid abrasive cleaners, steel wool, and harsh chemicals as these will dull the finish and void your warranty.

WARRANTY

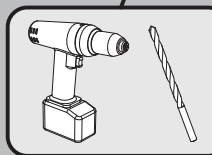
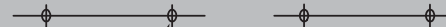
Your Speakman Accessory has a 1 year warranty.

Additional warranty information can be found at: www.speakmancompany.com

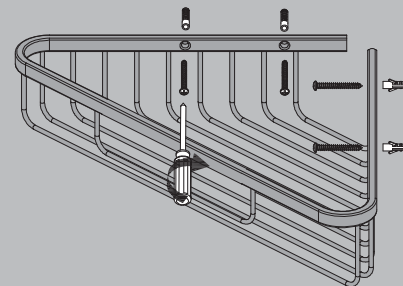
1 Place the product in the desired mounting location, using a level to position it accordingly, and use a pencil to mark the four (4) mounting locations.



2 Drill 1/4" holes in the previously marked locations.



3 Push the plastic anchors flush into wall. Fasten the product to the wall using the provided mounting screws. If mounting the product to a wood wall, fasten the product to the wall using wood screws.



ROUGH-IN DIMENSIONS

